

2 Pole Connector with locking feature

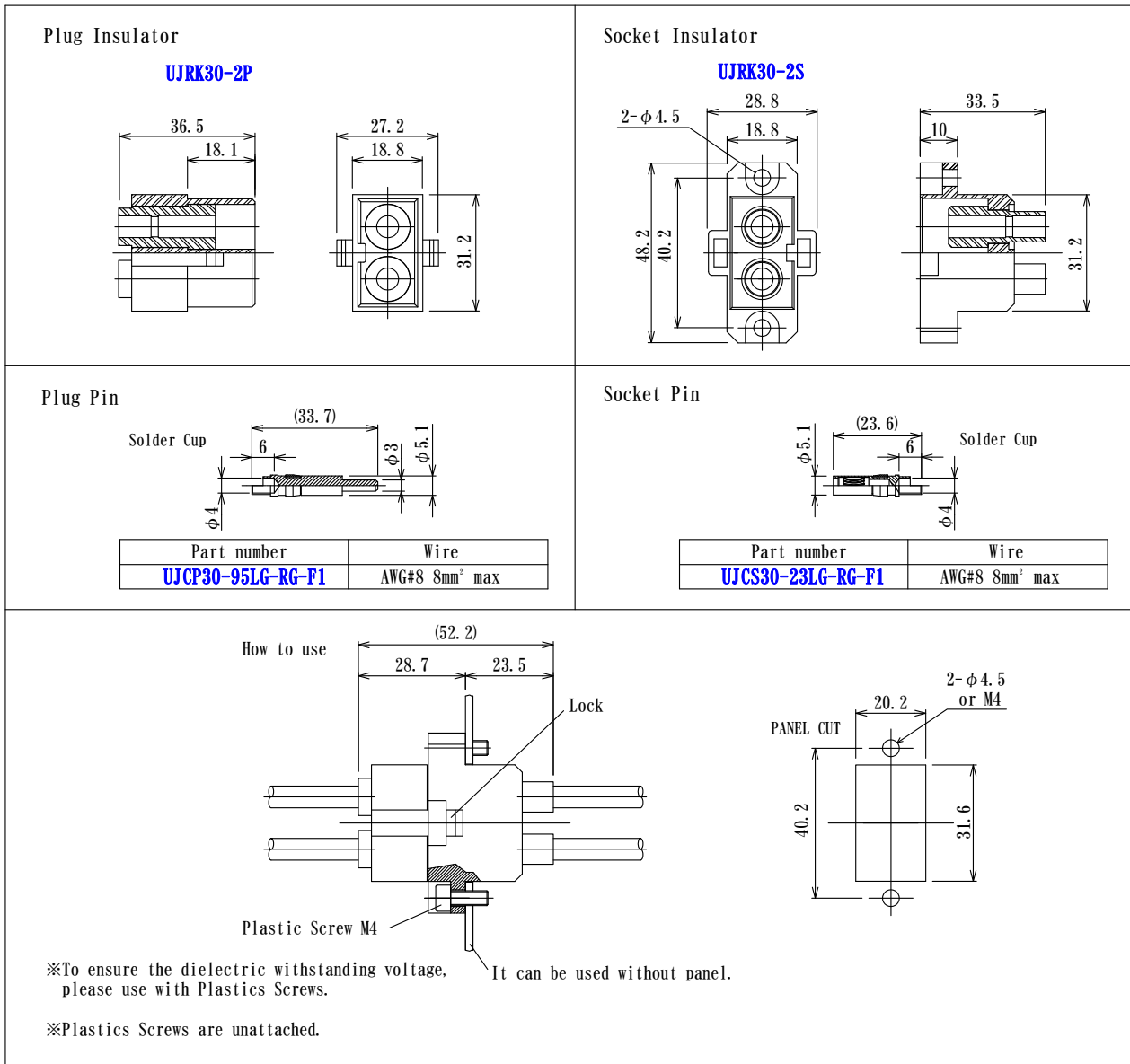
DC 5KV or DC 30A

Specification

Current rating: DC 30A at 25°C
(In the case of Low Voltage)
Dielectric Strength: DC 5KV 1 minute at 25°C
(In the case of Low Current)
Insulation Resistance: DC1000V 100MΩ min
Contact Resistance: 3mΩ max
Temperature range: -10°C~+80°C

Material

Insulator: PBT, glass filled, Black
Plug pin: Brass, Phosphor bronze, Gold plating over Ni
Socket pin
Louver: Beryllium Copper, Heat treated
Gold Plating over Ni plating
Sleeve: Brass, Gold Plating over Ni plating



How to order (example)

UJRK30-2P 50pcs
UJCP30-95LG-RG-F1 100pcs
UJRK30-2S 50pcs
UJCS30-23LG-RG-F1 100pcs

- Both pins (socket and plug) are removal with pin removal tool.
- Please consult factory about tools.



We welcome your custom design products.

2 Pole Connector with locking feature

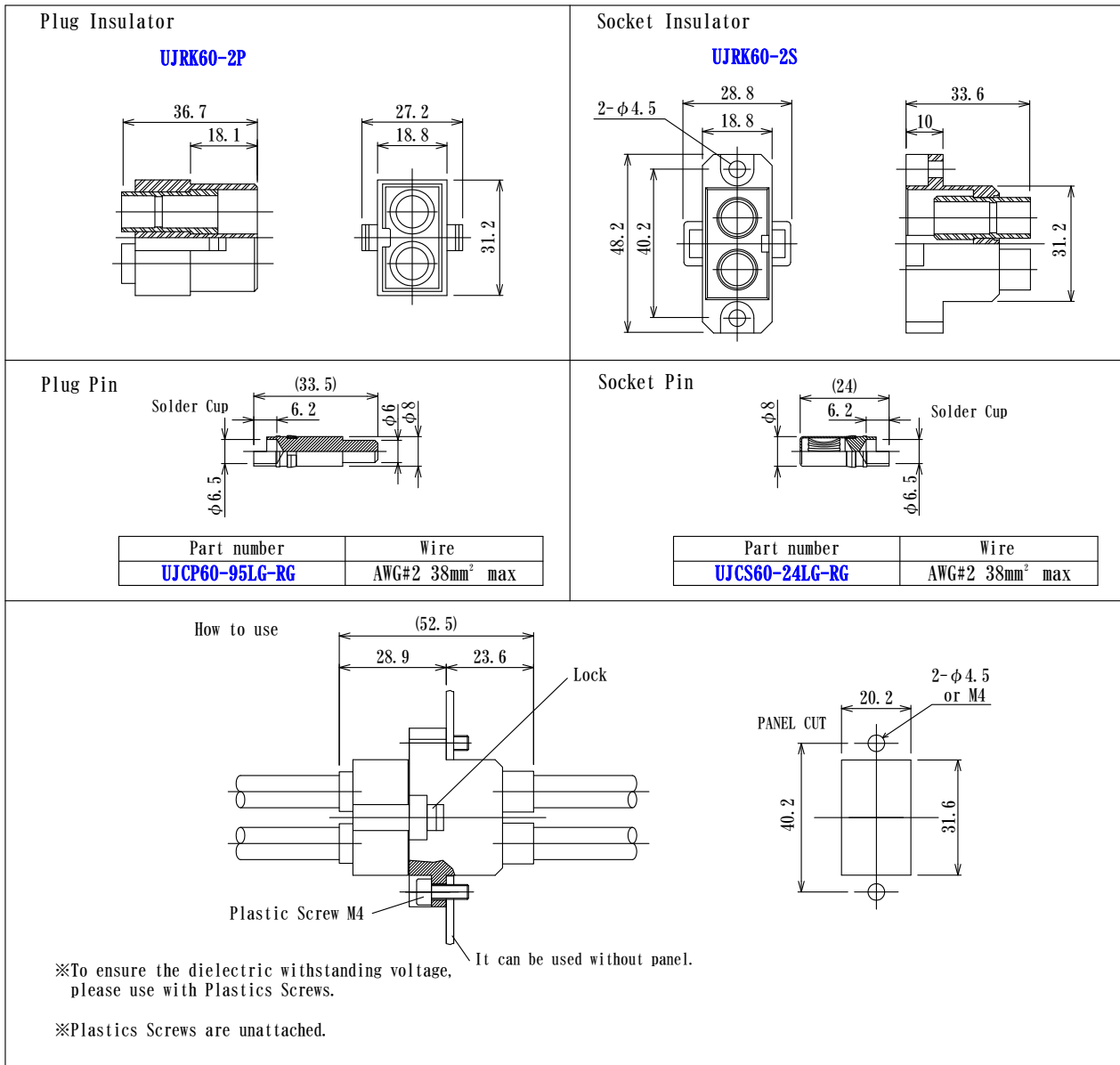
DC 5KV or DC 60A

Specification

Current rating : DC 60A at 25°C
(In the case of Low Voltage)
Dielectric Strength : DC 5KV 1 minute at 25°C
(In the case of Low Current)
Insulation Resistance : DC1000V 100MΩ min
Contact Resistance : 3mΩ max
Temperature range : -10°C~+80°C

Material

Insulator: PBT, glass filled, Black
Plug pin: Brass, Phosphor bronze, Gold plating over Ni
Socket pin
Louver: Beryllium Copper, Heat treated
Gold Plating over Ni plating
Sleeve: Brass, Gold Plating over Ni plating



How to order (example)

UJRK60-2P 50pcs
UJCP60-95LG-RG 100pcs
UJRK60-2S 50pcs
UJCS60-24LG-RG 100pcs

- Both pins (socket and plug) are removal with pin removal tool.
- Please consult factory about tools.



We welcome your custom design products.

2 Pole Connector with locking feature

DC 20KV or DC 15A

Specification

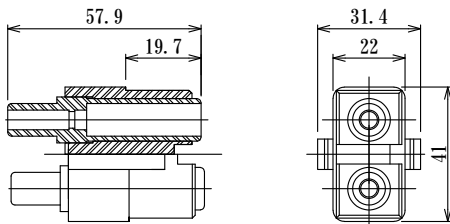
Current rating: DC 15A at 25°C
(in case of Low Voltage)
Dielectric Strength: DC 20KV 1 minute at 25°C
(in case of Low Current)
Insulation Resistance: DC1000V 100MΩ min
Contact Resistance: 3mΩ max
Temperature range: -10°C~+80°C

Material

Insulator: PBT, glass filled, Black
Plug pin: Brass, Gold plating over Ni
Socket pin
Louver: Beryllium Copper, Heat treated
Gold Plating over Ni plating
Sleeve: Brass, Gold Plating over Ni plating

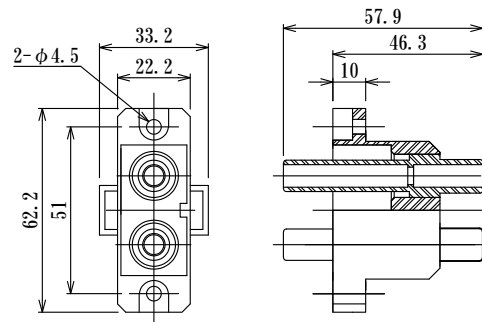
Plug Insulator

UJRK-62P-2-TSK

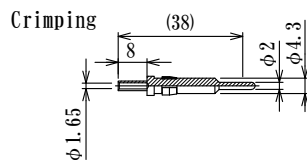


Socket Insulator

UJRK-62R-2-TSK

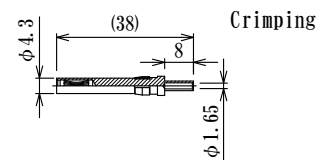


Plug Pin



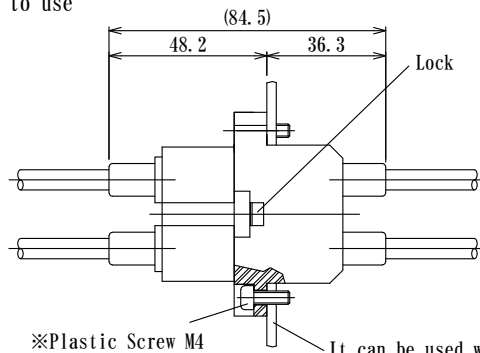
Part number	Wire
UJCP-F20CRMP-TSK	UL3239 (20kV) AWG#18

Socket Pin



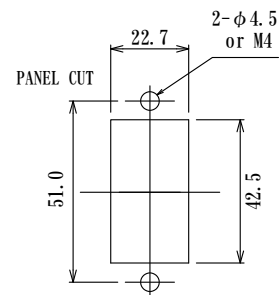
Part number	Wire
UJCS-F20CRMP-TSK	UL3239 (20kV) AWG#18

How to use



※Plastic Screw M4

It can be used without panel.



※To ensure the dielectric withstanding voltage, please use with Plastics Screws.

※Plastics Screws are unattached.

How to order (example)

UJRK-62P-2-TSK	10pcs
UJCP-F20CRMP-TSK	20pcs
UJRK-62R-2-TSK	10pcs
UJCS-F20CRMP-TSK	20pcs



○Crimping Tool is needed.

○Both pins(socket and plug) are removal with pin removal tool.

○Please consult factory about tools.