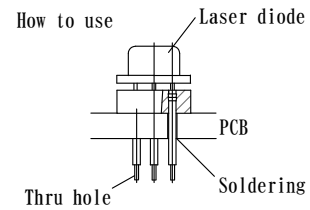


Laser Diode Socket / Various Diode Socket

Round Socket pin type

- High reliability round contact providing good electrical and mechanical performance.
- Useful for both PCB mount socket and Testing evaluation.
- Please feel free to contact us about other than the following socket pins.



Specifications

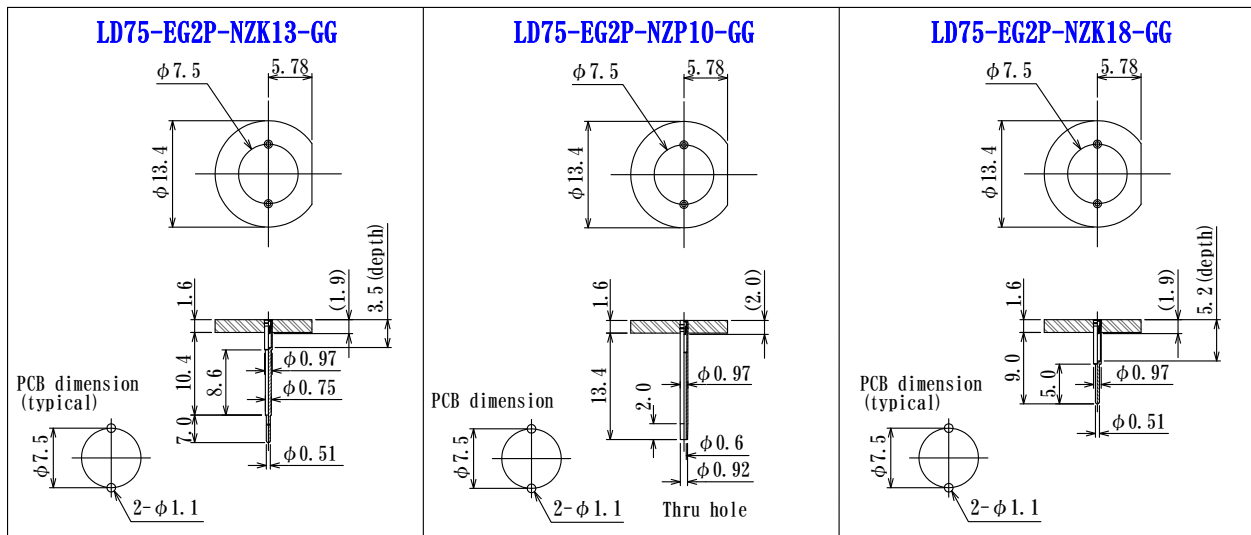
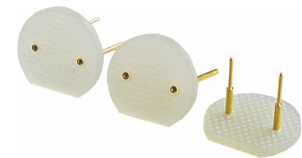
Dielectric Strength: AC500Vrms 1min
Insulation Resistance: 500MΩmin
Contact Resistance: 15mΩ max
Current rating : 1.0A
Operating Temperature: -45°C~+150°C

Material

Sleeve : Brass, Gold plating over Ni
Contact : Beryllium, Gold plating over Ni
Insulator:Glass epoxy

7.5mm pitch circle

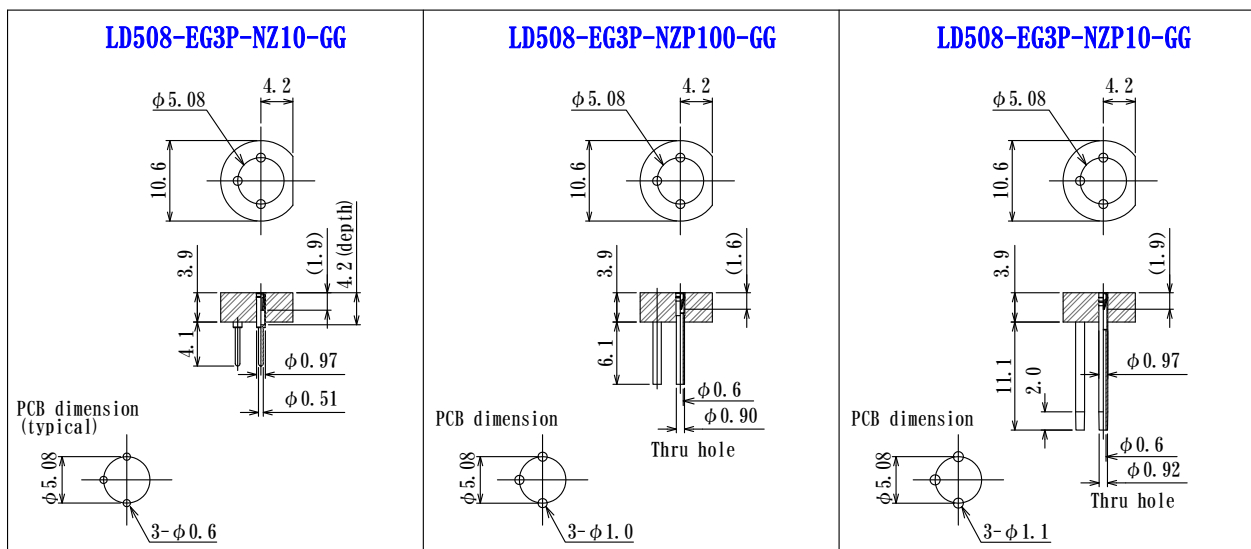
Acceptable lead dia. $\phi 0.45/0.0177''$ typical



5.08mm pitch circle

Acceptable lead dia. $\phi 0.45/0.0177''$ typical

- Suitable for packages including T0-5, T0-39.
(Some package might not be usable. Please call us)



Laser Diode Socket

Round Socket pin type

Specifications (Typical example)

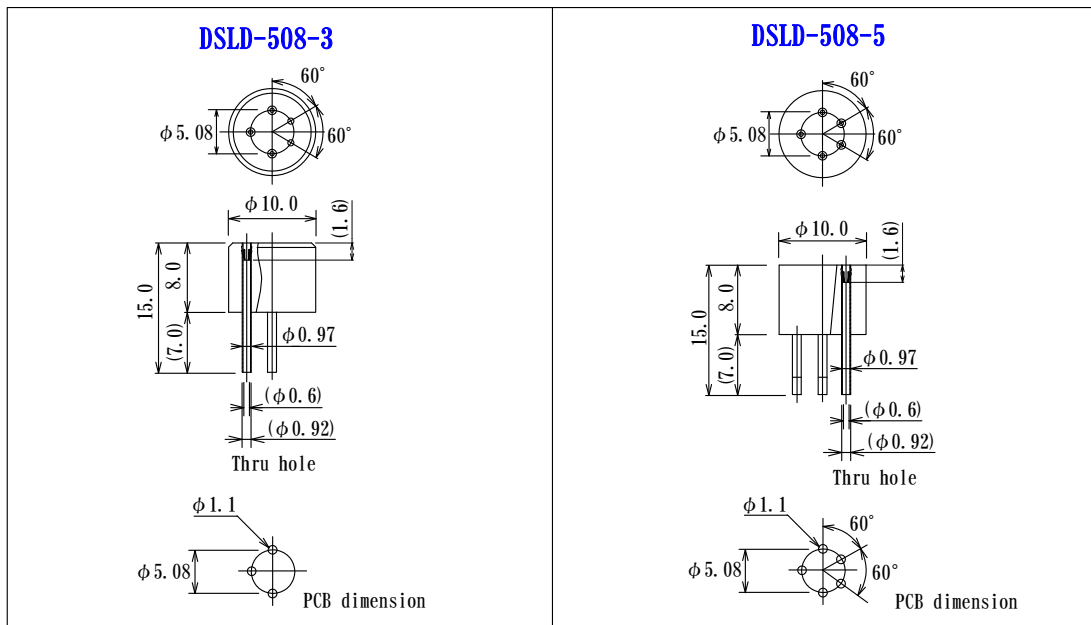
Dielectric Strength: AC500V RMS 1min
Insulation Resistance: 500M Ω min
Contact Resistance: 15m Ω max
Current rating : 1.0 A
Operating Temperature: -55°C~+150°C
(In case of Gold plating Contact)

Material

Sleeve : Brass, Tin plating over Ni
Contact : Beryllium, Gold plating over Ni
Insulator: Teflon etc

5.08mm pitch circle

Acceptable lead dia. $\phi 0.45/0.0177''$



4.5mm pitch circle

Acceptable lead dia. $\phi 0.45/0.0177''$

