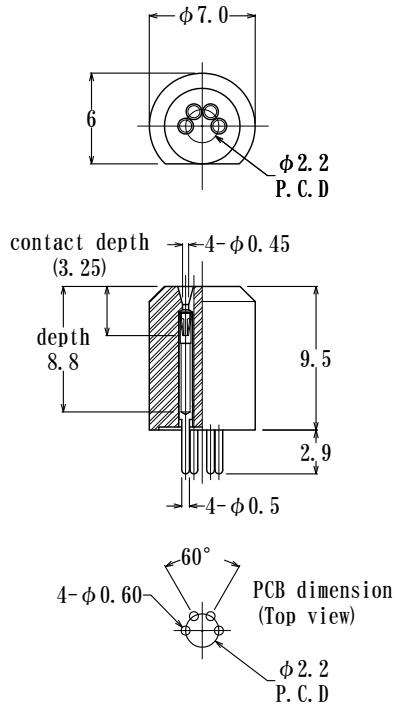


# Laser Diode Socket

2.2mm pitch circle

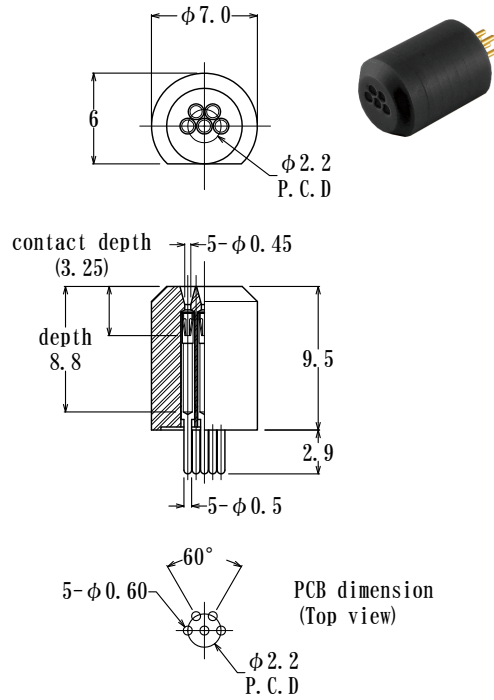
Acceptable lead dia.  $\phi 0.21\text{mm}/0.0083'' \sim \phi 0.35\text{mm}/0.0138''$

4pin  
LD220P-4P-F6L95-SD



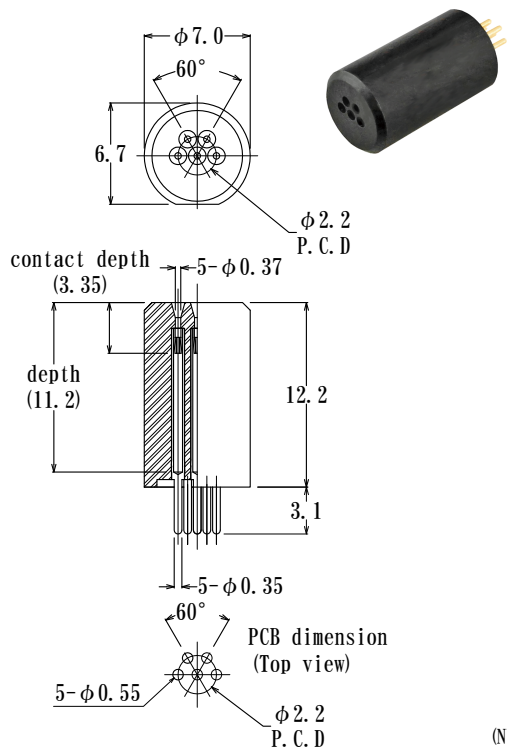
(NV6)

5pin  
LD220P-5P-F6L95-SD



(NV6)

5pin  
LD220P-5P-F7L153-01



(NV6)