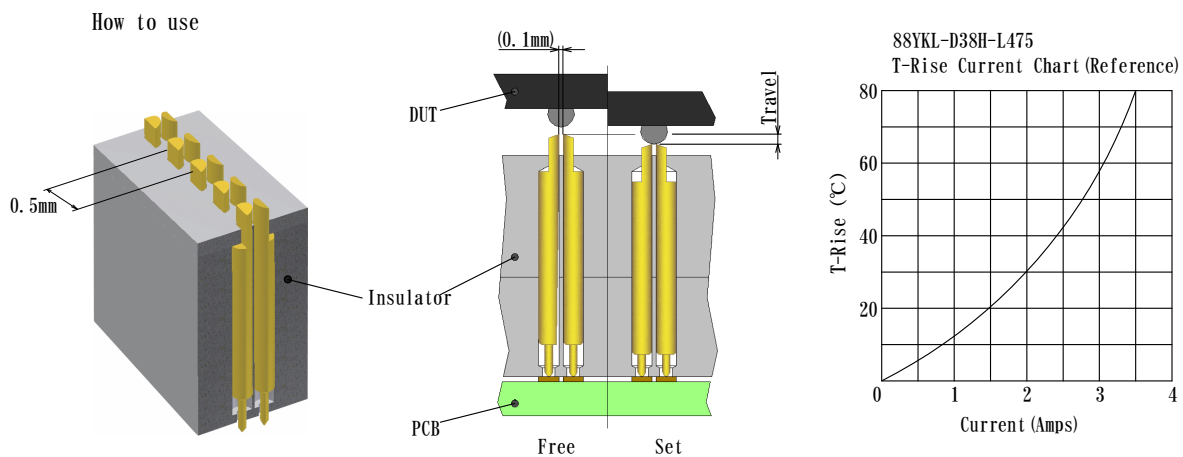


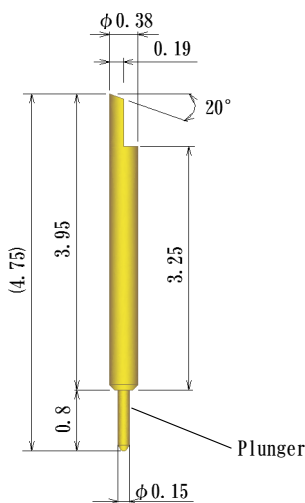
Kelvin type Probe Pins 88YKL series



Generally, when the value of measurement is low resistance, including the contact resistance which may usually be disregarded, this serves as an error and it cannot perform exact measurement. While more precise resistance measurement request is increasing, 4 poles measurement which measures current and voltage separately is enabled by contacting the same point of contact in these 2 probe pins.

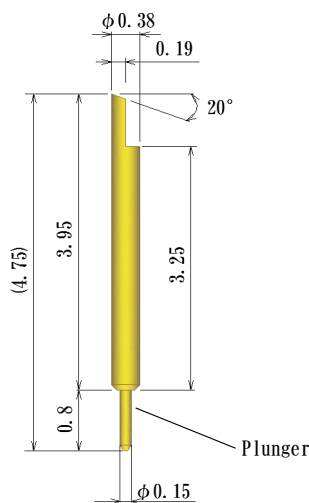


High Temperature spec
-40°C~+150°C



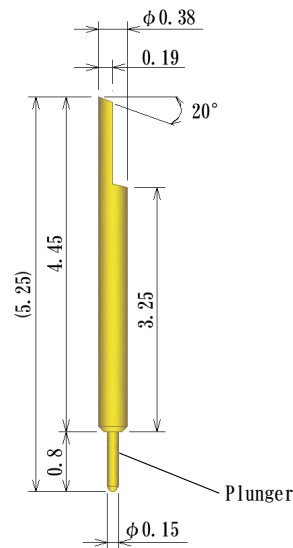
Preload 0.083N (8.5gf)
0.275N (28gf) at 0.45mm travel
Full travel 0.6mm
Current rating 1.5A

88YKL-D38H-L475



Preload 0.06N (6gf)
0.17N (17.3gf) at 0.45mm travel
Full travel 0.6mm
Current rating 1.5A

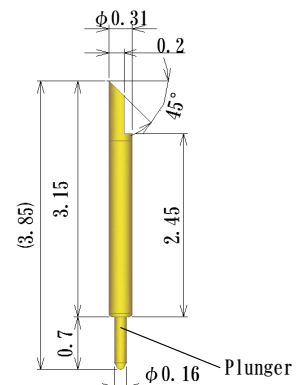
88YKL-D38H-L475-SUS



Preload 0.083N (8.5gf)
0.275N (28gf) at 0.45mm travel
Full travel 0.6mm
Current rating 1.5A

88YKL-D38H-L525

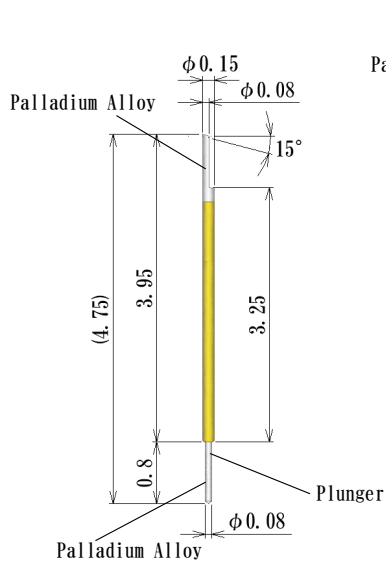
High Temperature spec
-40°C~+150°C



Preload 0.036N (3.7gf)
0.147N (15gf) at 0.45mm travel
Full travel 0.6mm
Current rating 1A

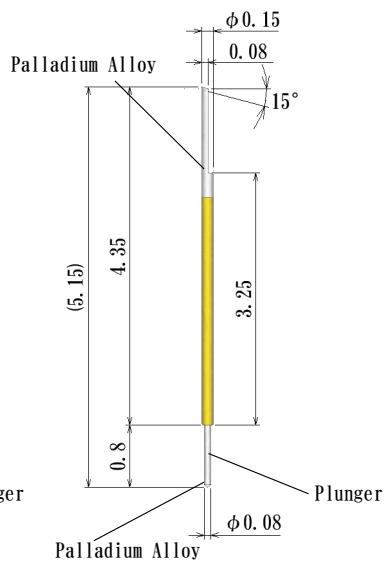
8YKL-D31H-L385-SUS

Kelvin type Probe Pins 88YKL series



Preload 0.042N (4.3gf)
0.098N (10gf) at 0.45mm travel
Full travel 0.6mm
Current rating 0.3A

8YKL-D15H-L475-PD



Preload 0.042N (4.3gf)
0.098N (10gf) at 0.45mm travel
Full travel 0.6mm
Current rating 0.3A

8YKL-D15H-L515-PD