

M-pin Probe

High performance probe for high current, high frequency,
and high-temp circumstance.
For burn-in socket, test socket, and board to board connector.





Specification

Temperature range: -40°C ~ +150°C
Contact resistance: 50mΩ max

Material

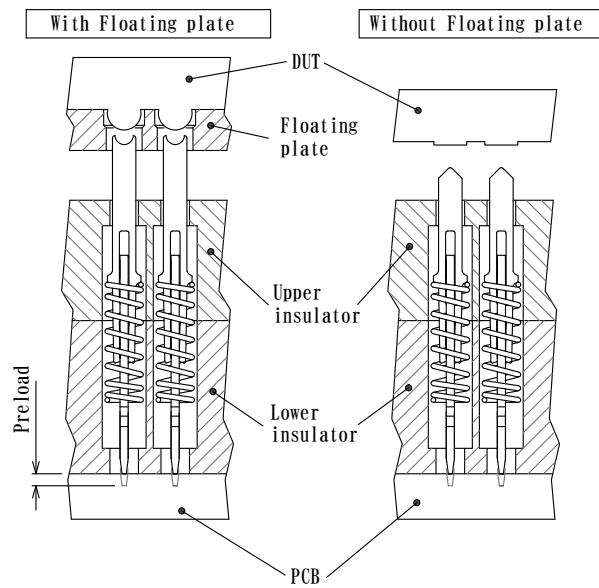
Plunger: BeCu, Gold over Ni plated
Spring : Stainless Steel, Gold over Ni plated



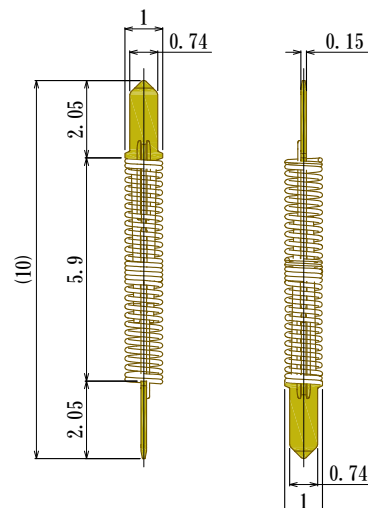
Head style	Target objects
point 	Pad Land (LGA) Pin Lead (QFP, SOP)
Full radius 	Pad Land (LGA)
U shape 	Pad Land (LGA) Pin Lead (QFP, SOP) BGA CSP
V shape 	Pad Land (LGA) Pin Lead (QFP, SOP) BGA CSP

(reference)

How to use



M-pin Probe Outer Dia. 1.0mm/ 0.039"
1.27mm pitch , etc.

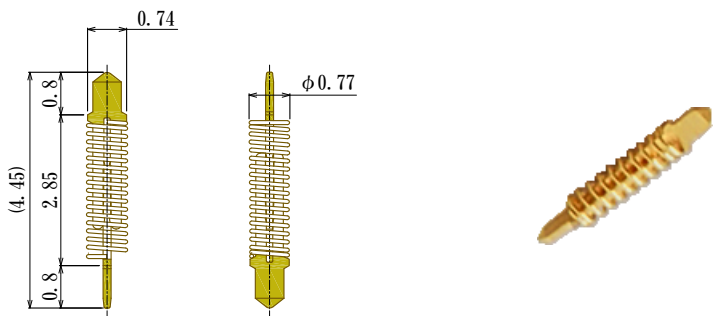


MD100L10C-045N

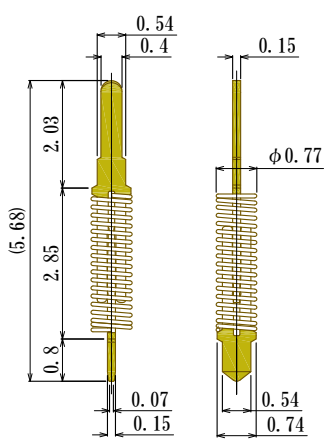
1.27mm pitch, etc.

- *Test & Burn-In Socket, GU22 molded frame series ——— Please refer to page 2A5~2A8.
Size22x22mm/0.87x0.87"
- *Test & Burn-In Socket, GU37 molded frame series ——— Please refer to page 2A10~2A16.
Size37x39mm/1.46x1.54"
- *Test & Burn-In Socket, GU40 molded frame series ——— Please refer to page 2A17~2A18.
Size40x50.25mm/1.57x1.98"
- *M-pin Probe Assy. for Board to Board ——— Please refer to page 3C1.

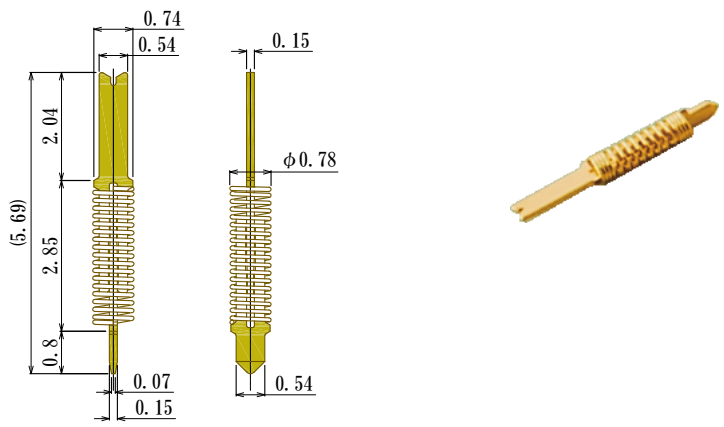
M-pin Probe Outer Dia. $\phi 0.77 \sim 0.78\text{mm} / 0.030 \sim 0.031''$
1.0mm pitch, etc.



Part No.	Preload	Recommended travel	Full travel	Current rating
MD77L445C-019N	0.1N (10.1gf)	0.166N (17.0gf) at 0.5mm travel	0.7mm	4A
MD77L445C-034N	0.18N (18.1gf)	0.295N (30.1gf) at 0.5mm travel		



Part No.	Preload	Recommended travel	Full travel	Current rating
MD77L568R-019N	0.1N (10.1gf)	0.166N (17.0gf) at 0.5mm travel	0.7mm	4A
MD77L568R-034N	0.18N (18.1gf)	0.295N (30.1gf) at 0.5mm travel		



Part No.	Preload	Recommended travel	Full travel	Current rating
MD78L569V-019N	0.1N (10.1gf)	0.166N (17.0gf) at 0.5mm travel	0.7mm	4A
MD78L569V-034N	0.18N (18.1gf)	0.295N (30.1gf) at 0.5mm travel		

M-pin Probe Outer Dia. $\phi 0.59\text{mm}/ 0.023''$
0.8mm pitch, etc.

High frequency characteristic
Return loss ———
Insertion loss ———

Preload 0.09N (9.4gf)
0.254N (25.9gf) at 0.4mm travel
Full travel 0.5mm
Current rating 3A

Pitch: 0.8mm
Return loss (SG9) : -13dB@20GHz
Insertion loss (SG9) : -0.68dB@20GHz

MD59L301R-029N
0.8mm pitch, etc.

Preload 0.09N (9.4gf)
0.254N (25.9gf) at 0.4mm travel
Full travel 0.5mm
Current rating 3A

MD59L33U-029N
0.8mm pitch, etc.

限定数量品

Part No.	Preload	Recommended travel	Full travel	Current rating
MD59L38V-015N	0.06N (5.7gf)	0.151N (15.4gf) at 0.4mm travel	0.5mm	3A
MD59L38V-029N	0.09N (9.4gf)	0.254N (25.9gf) at 0.4mm travel		

0.8mm pitch, etc.

Preload 0.09N (9.4gf)
0.254N (25.9gf) at 0.4mm travel
Full travel 0.5mm
Current rating 3A

MD59L458V-029N
0.8mm pitch, etc.

M-pin Probe Outer Dia. $\phi 0.38\text{mm}/ 0.015''$
0.5mm pitch, etc.

Preload 0.21N (21.2gf)
0.281N (28.6gf) at 0.33mm travel
Full travel 0.43mm
Current rating 2.9A

MD38L295C-030N
0.5mm pitch, etc.

Preload 0.21N (21.2gf)
0.281N (28.6gf) at 0.33mm travel
Full travel 0.43mm
Current rating 2.9A

MD38L34U-030N
0.5mm pitch, etc.
*Limited quantity

Preload 0.21N (21.2gf)
0.281N (28.6gf) at 0.33mm travel
Full travel 0.43mm
Current rating 2.9A

MD38L348C-030N
0.5mm pitch, etc.

Preload 0.21N (21.2gf)
0.281N (28.6gf) at 0.33mm travel
Full travel 0.43mm
Current rating 2.9A

MD38L385V-030N
0.5mm pitch, etc.

Preload 0.21N (21.2gf)
0.281N (28.6gf) at 0.33mm travel
Full travel 0.43mm
Current rating 2.9A

MD38L448C-030N
0.5mm pitch, etc.

Preload 0.21N (21.2gf)
0.281N (28.6gf) at 0.33mm travel
Full travel 0.43mm
Current rating 2.9A

MD38L476V-030N
0.5mm pitch, etc.

**M-pin Probe Outer Dia. $\phi 0.33 \sim \phi 0.38\text{mm} / 0.013 \sim 0.015"$
0.4~0.5mm pitch, etc.**

Preload 0.21N (21.2gf)
0.281N (28.6gf) at 0.33mm travel
Full travel 0.43mm
Current rating 2.9A

MD38L548C-030N
0.5mm pitch, etc.

Preload 0.06N (6.6gf)
0.129N (13.2gf) at 0.3mm travel
Full travel 0.4mm
Current rating 1.8A

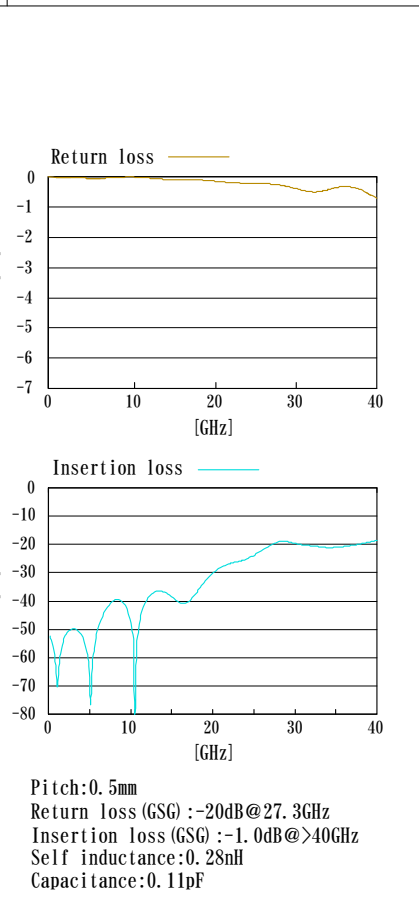
MD33L289R-014N
0.4mm pitch, etc.

Preload 0.06N (6.6gf)
0.129N (13.2gf) at 0.3mm travel
Full travel 0.4mm
Current rating 1.8A

MD33L381V-014N
0.4mm pitch, etc.

Preload 0.05N (5.2gf)
0.095N (9.68gf) at 0.2mm travel
Full travel 0.25mm

MD33L126R-011N
0.4mm pitch, etc.



Preload 0.05N (5.2gf)
0.095N (9.68gf) at 0.2mm travel
Full travel 0.25mm

MD33L135R-011N
0.4mm pitch, etc.

**M-pin Probe Outer Dia. $\phi 0.27\text{mm}/ 0.010''$
0.35mm pitch**

Material

Plunger: BeCu, Gold over Ni plated

Spring : Stainless Steel, Gold over Ni plated

Specification

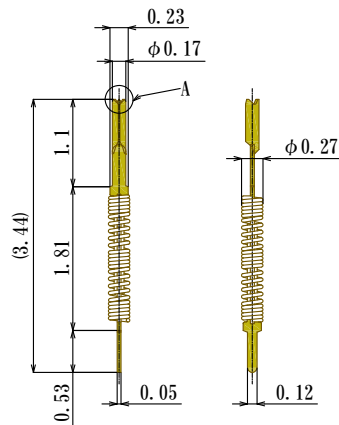
Spring force : 0.078N (8.0gf) at 0.3mm travel

Full travel : 0.4mm

Contact resistance: < 65m Ω

Temperature range : -55 $^{\circ}\text{C}$ ~+135 $^{\circ}\text{C}$

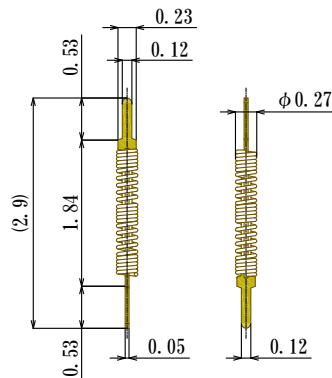
Current rating : 0.5A



DETAIL: A



MD27L344W-009N



MD27L29R-009N