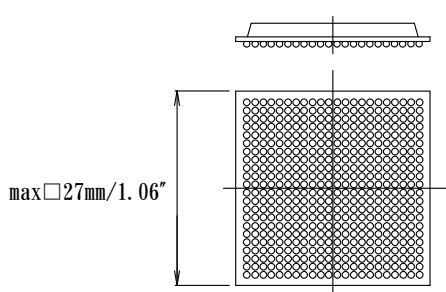


Test & Burn-In Socket, GU60 molded frame series
Size 60x60mm / 2.36x2.36"

- Features:
- High reliability
 - Cost competitive
 - Short delivery time
 - Temperature
-40°C to +150°C
(typical)

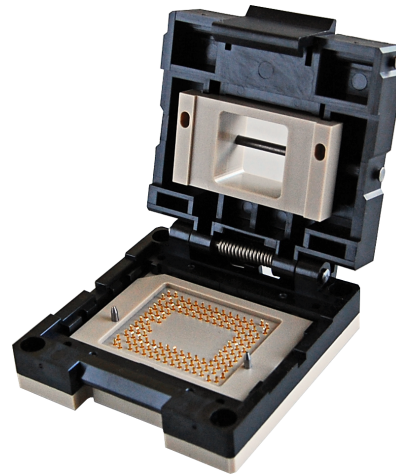
● Acceptable device size



max □ 27mm / 1.06"

In the case of larger size, consult factory.

Any device on 0.30mm pitch or larger

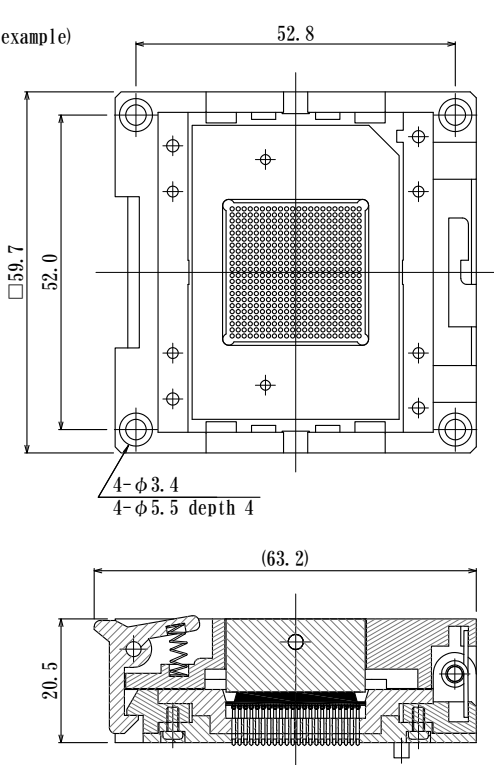
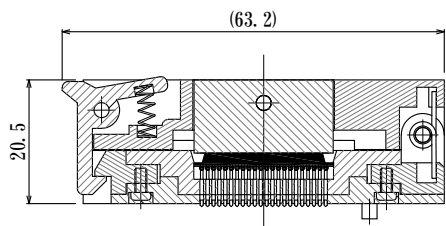


How to order

GU60-□□□□□□□□□□

— P/N will be informed after fixing specifications.

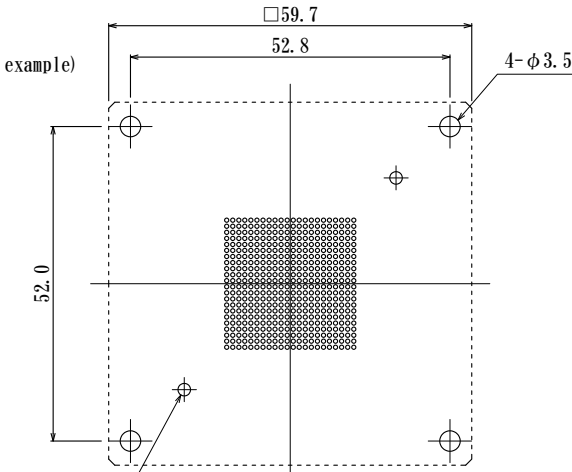
example)

device

(110°)

example)



Guide Pin Through Hole

PCB Pattern (Top View)

mm