

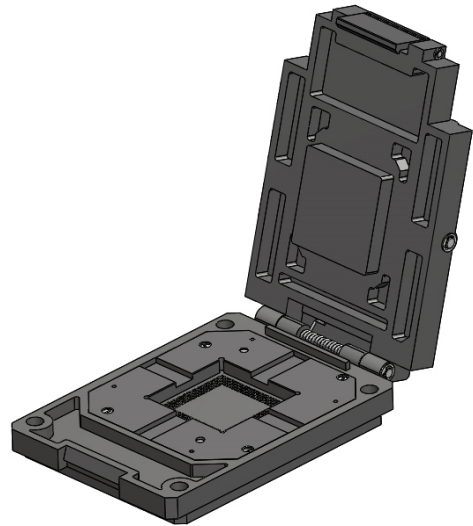
Test & Burn-In Socket, GU78 molded frame series

Size 78x116.7mm / 3.07x4.59"

● Acceptable device size

Max. 48mm/1.89"
Max. 38mm/1.50"

In the case of larger size, consult factory.
Any device on 0.30mm pitch or larger



How to order

GU78-□□□□□□□□□□

P/N will be informed after fixing specifications.

In case BGA Device

352pin

Features:

- High reliability
- Cost competitive
- Short delivery time
- Temperature -40°C to +150°C (typical)

This is an example. GRC Series socket can be used for other IC device and size.

device

(105°)

116.7

55

36

78

68

4-φ3.2

4-φ6 depth 5.6

116.7

23.55

(116.7)

55

36

78

68

32.6

56.6

1.27x25=31.75

1.27

φ2.05

(For Guide pin)

4-φ3.2

(For M3 Screw)

352-φ0.6

(Au Pad)

φ3.05

(For Guide pin)

PCB Pattern (Top View)

mm