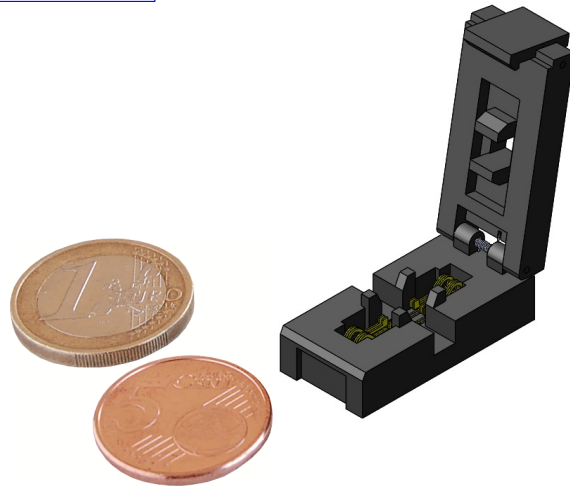
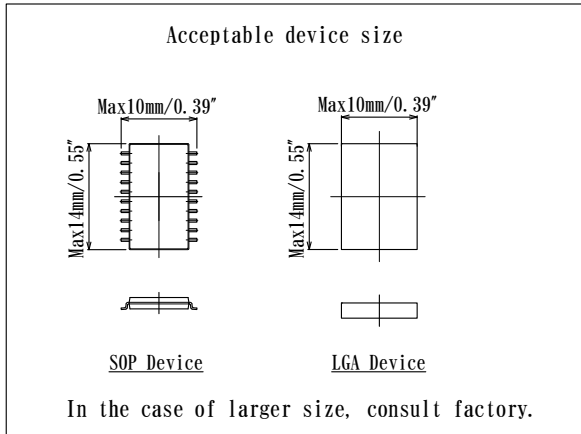


Test socket, Stamping contact type
GU16 series
Size 16x33.5mm / 0.63x1.32"

Burn-in Test



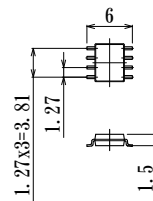
Acceptable device type: SOP, SON, SOJ, SIP, LGA, etc.

How to order

GU16-□□□□□□□□□□

P/N will be informed after fixing specifications.

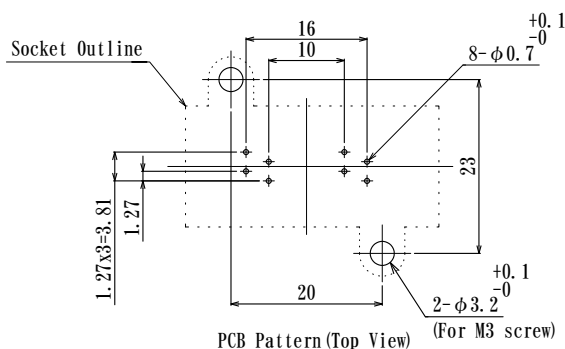
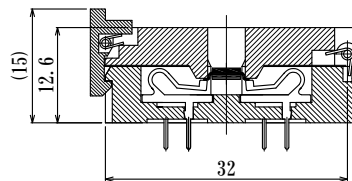
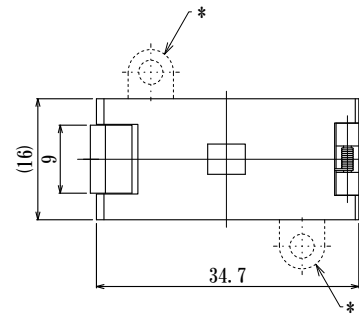
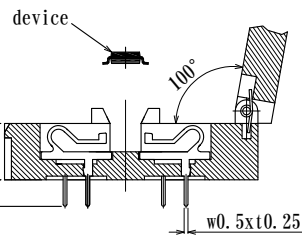
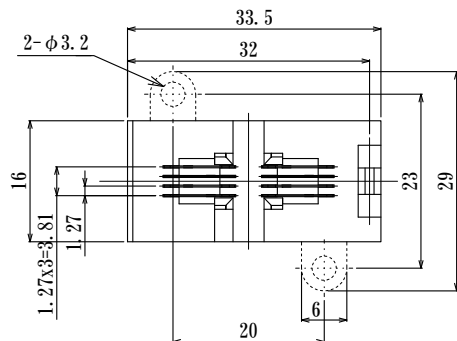
In case SOP Device



Features:

- High reliability
- Cost competitive
- Short delivery time
- Temperature -40°C to +150°C (typical)

actual size



* The flanged type for screw mounting is selectable. Please feel free to ask us.

mm